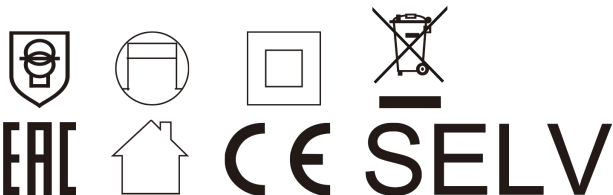




Constant Voltage Driver

Model: LV100W48VDC(-T)

Fit the Stucchi Multisystem 9500 series track
Fit for Powergear 48V low voltage track



Model	Rated Input Voltage	Input Current	PF	Output Power Range	Output Voltage	Output Current	Efficiency (typ.)
LV100W48VDC	220-240VAC	≤0.6A	≥0.95	0-100.8W	48V	0-2.1A	90%
LV100W48VDC-T*	220-240VAC	≤0.6A	≥0.95	0-100.8W	48V	0-2.1A	90%

*2 extra leads for DALI through wiring

Test result @230V, 50Hz, Full Load.

1. Parameters

Category	Item	Technical Norm
Features	Output Type	Constant Voltage
	Output Feature	Isolation
	Insulation Class	Class II
	IP Grade	IP20
Input	Rated Input Voltage	220-240VAC
	Range of Input Voltage	176-264VAC
	Frequency	50/60Hz
	Input Current	≤0.6A (198VAC, full load)
	Input Power	≤115W (230VAC, full load)
	Power Factor	≥0.95 (230VAC, full load)
	THD	≤15% (230VAC, full load)
	Standby Power Consumption	≤0.5W @230VAC
	Inrush Current	≤60A/200us (230VAC, full-load)
	Connected quantity of 16A Breaker:	16pcs/type B ; 26pcs/type C
Output	Output Voltage	48VDC ±3%
	No Load Voltage	48VDC ±3%
	Output Current	0 -2.1A
	Rated Output Power	100.8W
	Efficiency	≥90% (230VAC, full load)
	Started Delay Time	≤0.5S (220-240VAC)
	Output Ripple Voltage	<1% (220-240VAC, full load)
Protection	Short Circuit Protection	Auto Recovery
	Over Current Protection	110%~200%Io, Auto Recovery
	No-load Protection	<50V, Auto Recovery
	Insulation voltage	3.75KV/5mA/60S Primary to Secondary
	Insulation resistance	>100M ohm @ 500VDC



	Leakage current	I/P to O/P < 250 μ A
Environment	Ta/Operation Temperature	-25...+40°C
	Ts/Storage Temperature	-40....+85°C
	Tc/Enclosure Temperature	<85°C
	Humidity	5%....85%RH
	Atmosphere	86-108KPa
Construction	Connection Method	Direct Lead
	Installation	Built-in
	PRI Wire preparation	0.75mm ² *2, blue/brown+0.3mm ² *2, Black/Yellow
	SEC Wire preparation	NA
	Dimension	297.5X16X19mm (L*W*H)
Standards	Certification	TUV
	Safety Standards	EN61347-1:2015,EN61347-2-13:2014/A1:2017,EN 62493:2015, GB19510.1, GB19510.14
	EMC Standards	EN55015:2013/A1:2015,EN61000-3-2:2014,EN61000-3-3:2013,EN61547:2009, GB 17743, GB 17625.1
	Performance	EN62384
	Surge	L-N/2KV
Others	Colour	White/Black
	RoHS	Conform to RoHS
	Life Time	50000h @40°C (Ta)
	Warranty	5years F.R. <10000ppm

Remark

- All Parameters, if not specified, are measured at 230VAC/50Hz and 25°C ambient temperature.
- LED Driver is a component of the luminaires, Luminaires and wire layout will affect the EMC, please check the EMC with end products again.
- Safety warnings for products and installation
KGP recommends the usage of an opto-insulated repeater dali compatible different modes:
 - 2 different power supplier (2 circuits,0-60V dc)
 - 1 circuit for 60V dc and 1 circuit for Data B

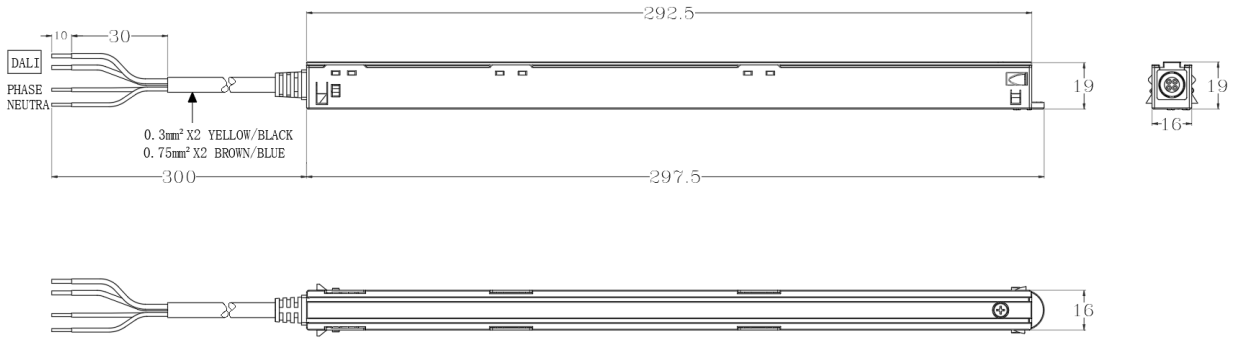
2. Label

INPUT	<input type="checkbox"/> L	 <small>KGPElectronicsGmbH Hueckstr.6a19 DE-58511Löhnderscheid</small>	For LED Modules Only	LED Driver	Constant Voltage Type	INPUT: 220-240V~50/60Hz 0.52A	Power Factor(λ): ≥0.95	
	<input type="checkbox"/> N							

INPUT	<input type="checkbox"/> L	 <small>KGPElectronicsGmbH Hueckstr.6a19 DE-58511Löhnderscheid</small>	For LED Modules Only	LED Driver	Constant Voltage Type	INPUT: 220-240V~50/60Hz 0.52A	Power Factor(λ): ≥0.95	
	<input type="checkbox"/> DA							



3. Dimension (Unit: mm)

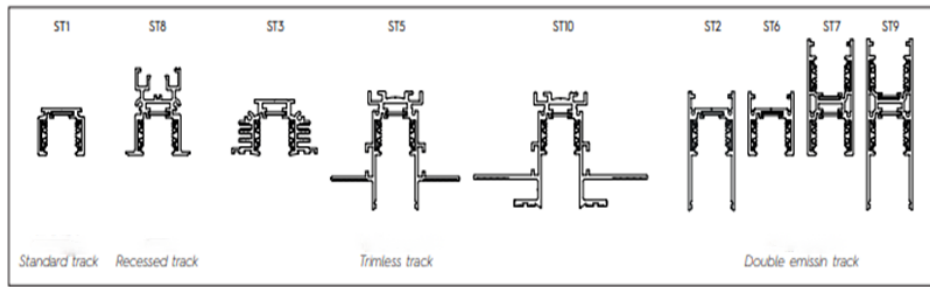


Compatible Track

Stucchi Multisystem 9500 series track

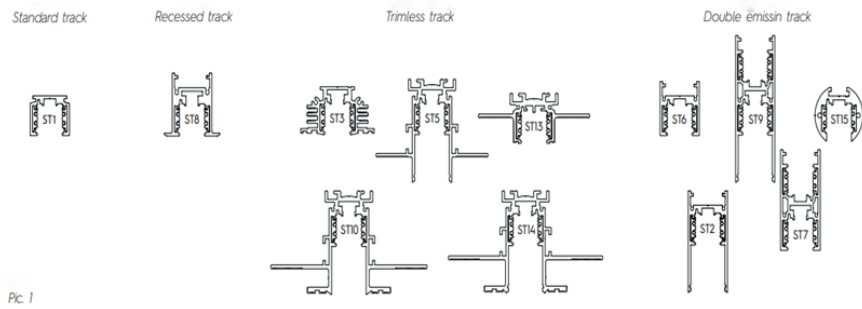
MULTISYSTEM®

MULTISYSTEM® TRACK

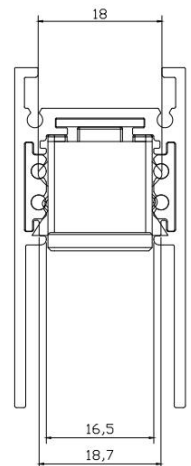


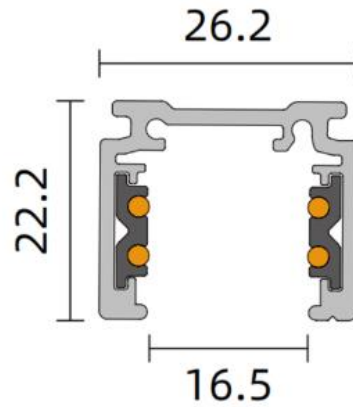
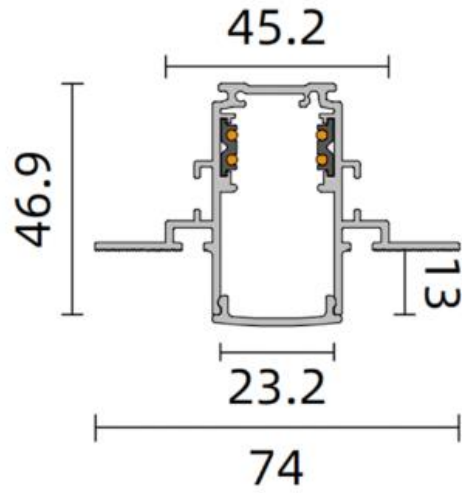
MULTISYSTEM®

MULTISYSTEM® EVO TRACK



Pc. 1





Packing information

Packing way	Model	Carton L*W*H(mm)	Pcs/Carton	Net weight/Pcs(kg)	Net weight/ Carton(kg)	Gross weight / Carton(kg)
With white box and manual	LV100W48VDC-(T)	345*210*245	50	0.16	8	9.5
Without white box and manual	LV100W48VDC-(T)	330*270*130	50	0.14	7	8

4. REVISION HISTORY

Date	Revision	Remark
2021-06-13	A	Preliminary Edition
2023-05-06	A	Label