

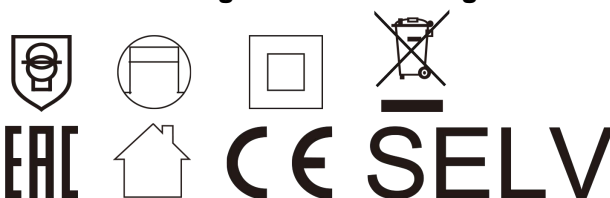


## Constant Voltage Driver

Model: LV250W48VDC(-T)

Fit the Stucchi Multisystem 9500 series track

Fit for Powergear 48V low voltage track



Model	Rated Input Voltage	Input Current	PF	Output Power Range	Output Voltage	Output Current	Efficiency (typ.)
LV250W48VDC	220-240VAC	≤1.5A	≥0.95	0-250W	48V	0-5.21A	92%
LV250W48VDC-T*	220-240VAC	≤1.5A	≥0.95	0-250W	48V	0-5.21A	92%

\*2 extra leads for DALI through wiring

\* Test result @230V, 50Hz, Full Load.

### 1.Parameters

Category	Item	Technical Norm
Features	Output Type	Constant Voltage
	Output Features	Isolation
	Insulation Class	Class II
	IP Grade	IP20
Input	Rated Input Voltage	220-240VAC
	Range of Input Voltage	176-264VAC
	Frequency	50/60Hz
	Input Current	≤1.5A, 198VAC, Rated Load
	Input Power	≤272W (230VAC, full load)
	Power Factor	≥0.95 (230VAC, full load)
	THD	≤10% (230VAC, full load)
	Standby Power Consumption	≤0.5W @230VAC
	Inrush Current	≤80A/200us (230VAC, full-load)
	Connected quantity of 16A Breaker :	12pcs, 16A type B / 19pcs 16A type C
Output	Output Voltage	48VDC ±3%
	No Load Voltage	48VDC ±3%
	Output Current	0 -5.21A
	Rated Output Power	250W
	Efficiency	≥90% (230VAC, full load)
	Started Delay Time	≤0.5S (220-240VAC)
	Output Ripple Voltage	<1% (220-240VAC, full load)
Protection	Short Circuit Protection	Auto Recovery
	Over Current Protection	120%~200%Io, Auto Recover
	No-load Protection	<50V, Auto Recovery
	Insulation voltage	I/P to O/P, 3KVac/5mA/1min

	Insulation resistance	>100M ohm @ 500VDC
	Leakage current	I/P to O/P < 250 μ A
Environment	Ta/Operation Temperature	-25...+40°C
	Ts/Storage Temperature	-40....+85°C
	Tc/Enclosure Temperature	<85°C
	Humidity	5%....85%RH
	Atmosphere	86-108KPa
Construction	Connection Method	Direct Lead
	Installation	Built-in
	PRI Wire preparation	0.75mm <sup>2</sup> *2, blue/brown+0.3mm <sup>2</sup> *2, Black/Yellow
	SEC Wire preparation	NA
	Dimension	268X22X43.5mm (L*W*H)
Standards	Certification	TUV
	Safety Standards	EN61347-1:2015,EN61347-2-13:2014/A1:2017,EN 62493:2015, GB19510.1, GB19510.14
	EMC Standards	EN55015:2013/A1:2015,EN61000-3-2:2014,EN61 000-3-3:2013,EN61547:2009, GB 17743, GB 17625.1
	Performance	EN62384
	Surge	L-N/2KV
Others	Color	White/Black
	RoHS	Conform to RoHS
	Life Time	50000h @40°C (Ta)
	Warranty	5years F.R. <10000ppm

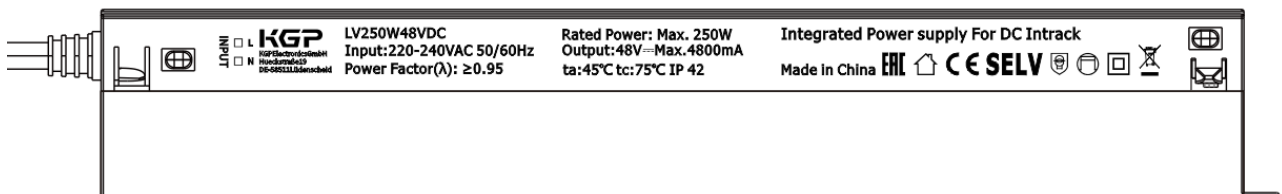
## Remark

- All Parameters, if not specified, are measured at 230VAC/50Hz and 25°C ambient temperature.
- LED Driver is a component of the luminaires, Luminaires and wire layout will affect the EMC, please check the EMC with end products again.
- Safety warnings for products and installation  
KGP recommends the usage of an opto-insulated repeater dali compatible different modes:
  - 2 different power supplier (2 circuits, 0-60V dc)
  - 1 circuit for 60V dc and 1 circuit for Data B

## 2.Label

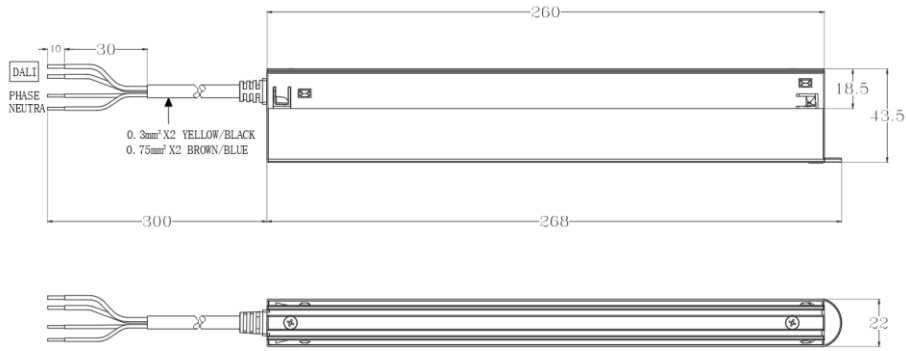
Input <input type="checkbox"/> L <input type="checkbox"/> DA <input type="checkbox"/> N	<b>KGP</b> KGP Electronics GmbH Huckstr. 6a 19 DE-58511 Lüdenscheid	LV250W48VDC	Rated Power: Max. 250W	Integrated Power supply For DC Intrack
		Input: 220-240VAC 50/60Hz Power Factor(λ): ≥0.95	Output: 48V==Max. 4800mA ta: 45°C tc: 75°C IP 42	Made in China <b>ERC</b> <b>CE</b> <b>SELV</b>

Input <input type="checkbox"/> L <input type="checkbox"/> DA <input type="checkbox"/> N	<b>KGP</b> KGP Electronics GmbH Huckstr. 6a 19 DE-58511 Lüdenscheid	LV250W48VDC-T	Rated Power: Max. 250W	Integrated Power supply For DC Intrack
		Input: 220-240VAC 50/60Hz Power Factor(λ): ≥0.95	Output: 48V==Max. 4800mA ta: 45°C tc: 75°C IP 42	Made in China <b>ERC</b> <b>CE</b> <b>SELV</b>





### 3.Dimension (Unit: mm)

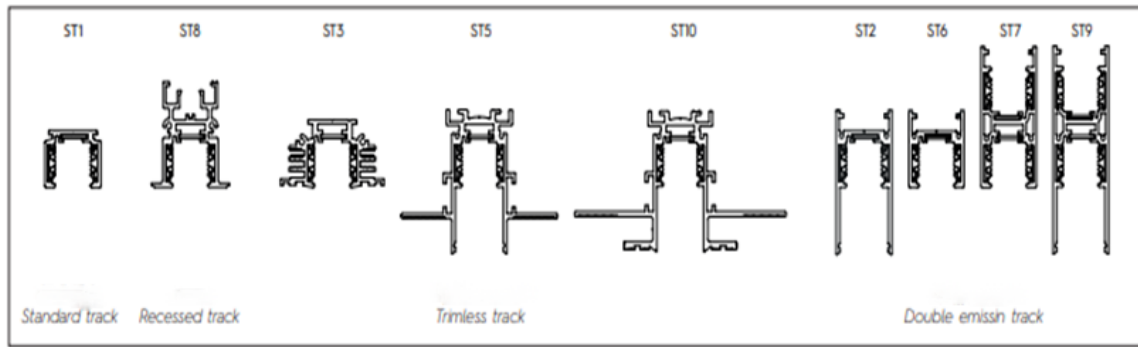


### Compatible Track

Stucchi Multisystem 9500 series track

#### MULTISYSTEM®

#### MULTISYSTEM® TRACK



#### MULTISYSTEM®

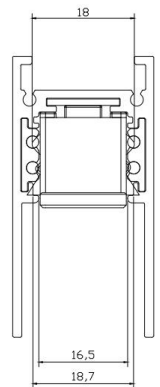
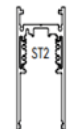
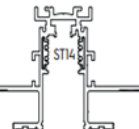
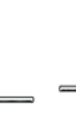
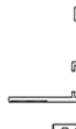
#### MULTISYSTEM® EVO TRACK

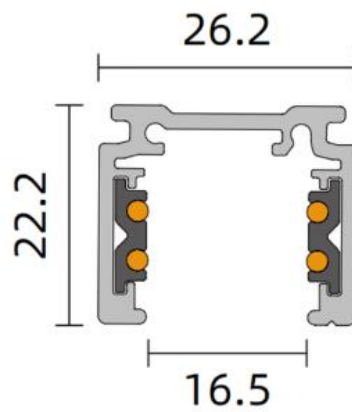
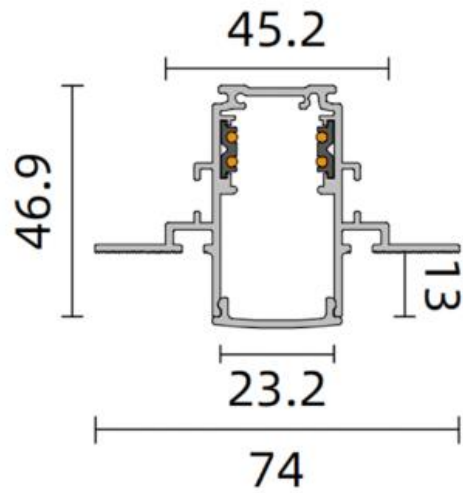
Standard track

Recessed track

Trimless track

Double emiss track





## Packing information

Packing way	Model	Carton L*W*H(mm)	Pcs/ Carton	Net weight/ Pcs(kg)	Net weight/ Carton(kg)	Gross weight / Carton(kg)
With white box and manual	LV250W48VDC-(T)	315*200*325	30	0.38	11.4	13
Without white box and manual	LV250W48VDC-(T)	300*245*190	30	0.36	10.8	11.8



#### 4. REVISION HISTORY

Date	Revision	Remark
2021-06-13	A	<b>Preliminary Edition</b>
2023-05-06	A	Label